

7. Parts catalog

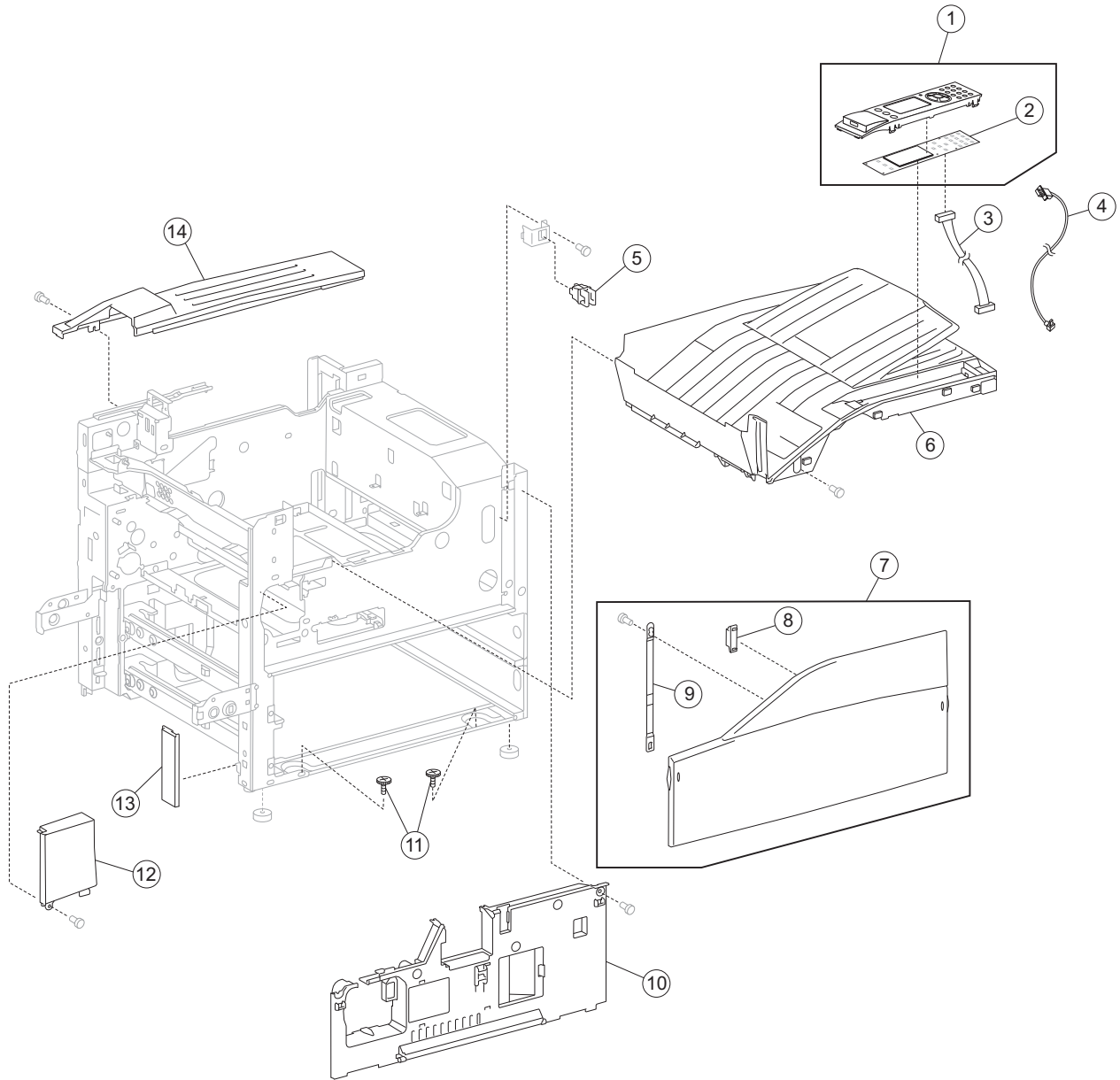
How to use this parts catalog

The following legend is used in the parts catalog:

Assem bly- Index	Part number	Units/mach	Units/ kit or pkg	Description
------------------------	----------------	------------	-------------------------	-------------

- **Assembly-index:** Identifies the assembly and the item in the diagram. For example, 3-1 indicates Assembly 3 and the item number 1 in the table.
- **Part number:** Identifies the unique number that identifies this FRU.
- **Units/mach:** Refers to the number of units actually used in the base machine or product.
- **Units/kit or pkg:** Refers to the number of units packaged together and identified by the part number.
- **NS:** (Not shown) in the assembly-Index column indicates that the part is procurable but is not pictured in the illustration.
- **PP:** (Parts Packet) in the parts description column indicates the part is contained in a parts packet.

Assembly 1: Covers and operator panel (1 of 2)



Assembly 1: Covers and operator panel (1 of 2)

Assembly - Index	Part number	Units/mach	Units/kit or pkg	Description
1-1	40X5566	1	1	Operator panel assembly
2	40X5561	1	1	Operator panel controller card
3	40X5563	1	1	Operator panel cable
4	40X5564	1	1	Operator panel USB cable assembly
5	40X0553	1	1	Switch (printer front door interlock)
6	40X0558	1	1	Top cover assembly
7	40X5565	1	1	Printer front door cover assembly
8	40X0560	1	1	Front door magnetic catch
9	40X0561	1	1	Front door support strap
10	40X0562	1	1	Front inner cover
11	40X0960	1	2	2TM/TTM retaining screws
12	40X0551	1	1	Front left cover
13	40X0550	1	1	Left lower cover
14	40X0552	1	1	Top rear cover

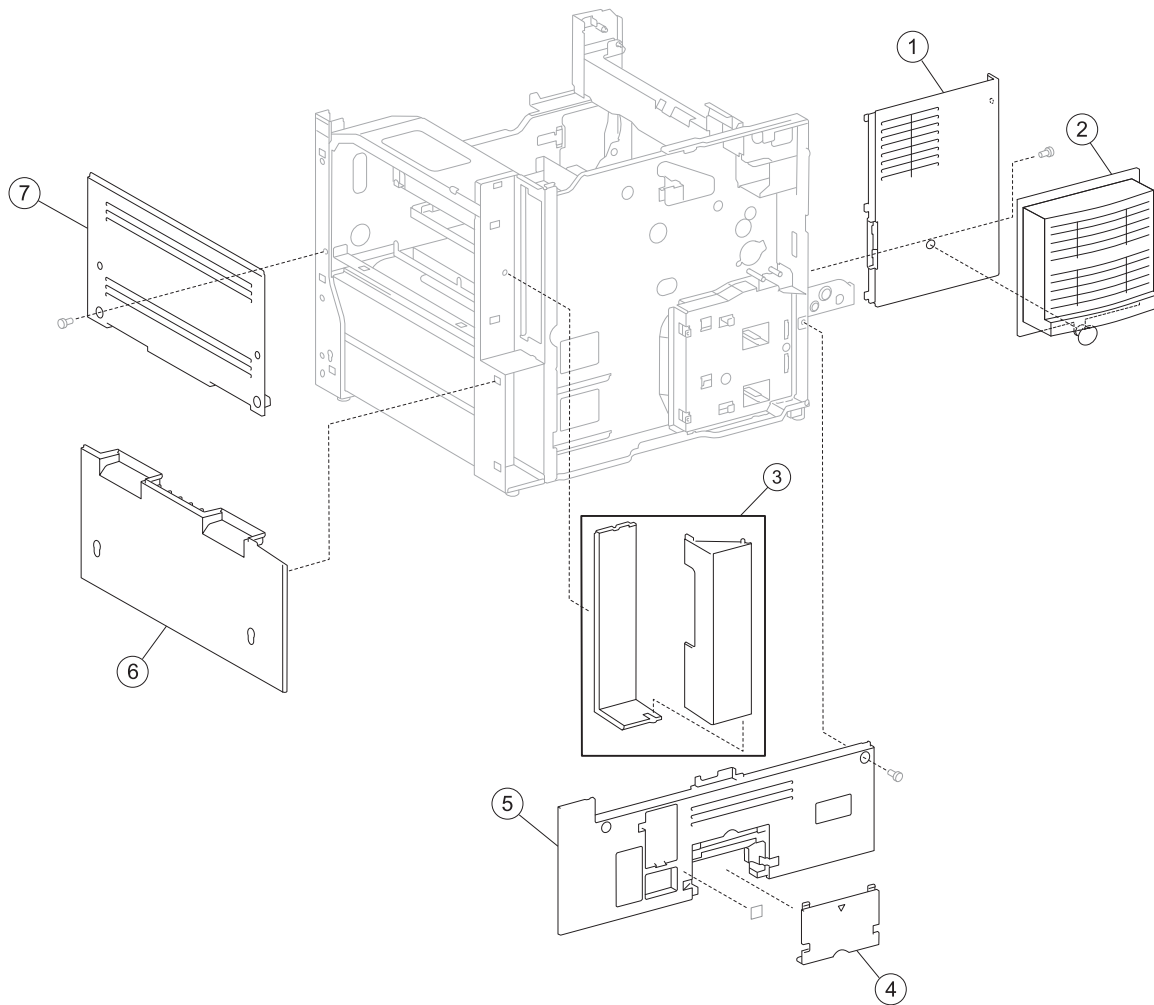
Warning: In the event of replacement of any one of the following components:

- Operator panel assembly
- RIP card assembly

Replace only one component at a time. Replace the required component, and perform a POR before replacing a second component listed above. If this procedure is not followed, the printer will be rendered inoperable. Never replace two or more of the components listed above without a POR after installing each one or the printer will be rendered inoperable.

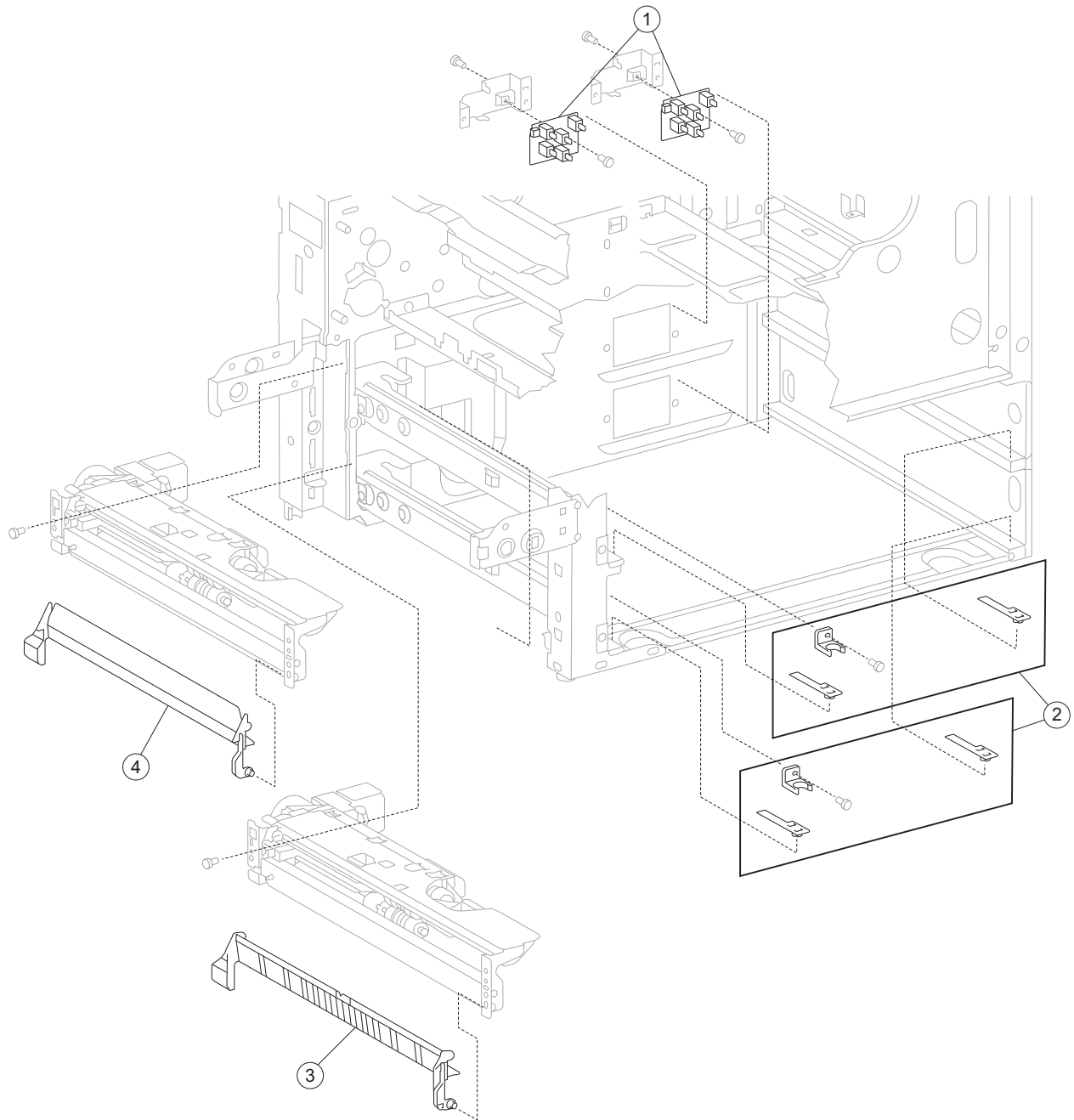
Warning: Never install and remove components listed above as a method of troubleshooting components. Once a component has been installed in a machine, it cannot be used in another machine. It must be returned to the manufacturer.

Assembly 2: Covers



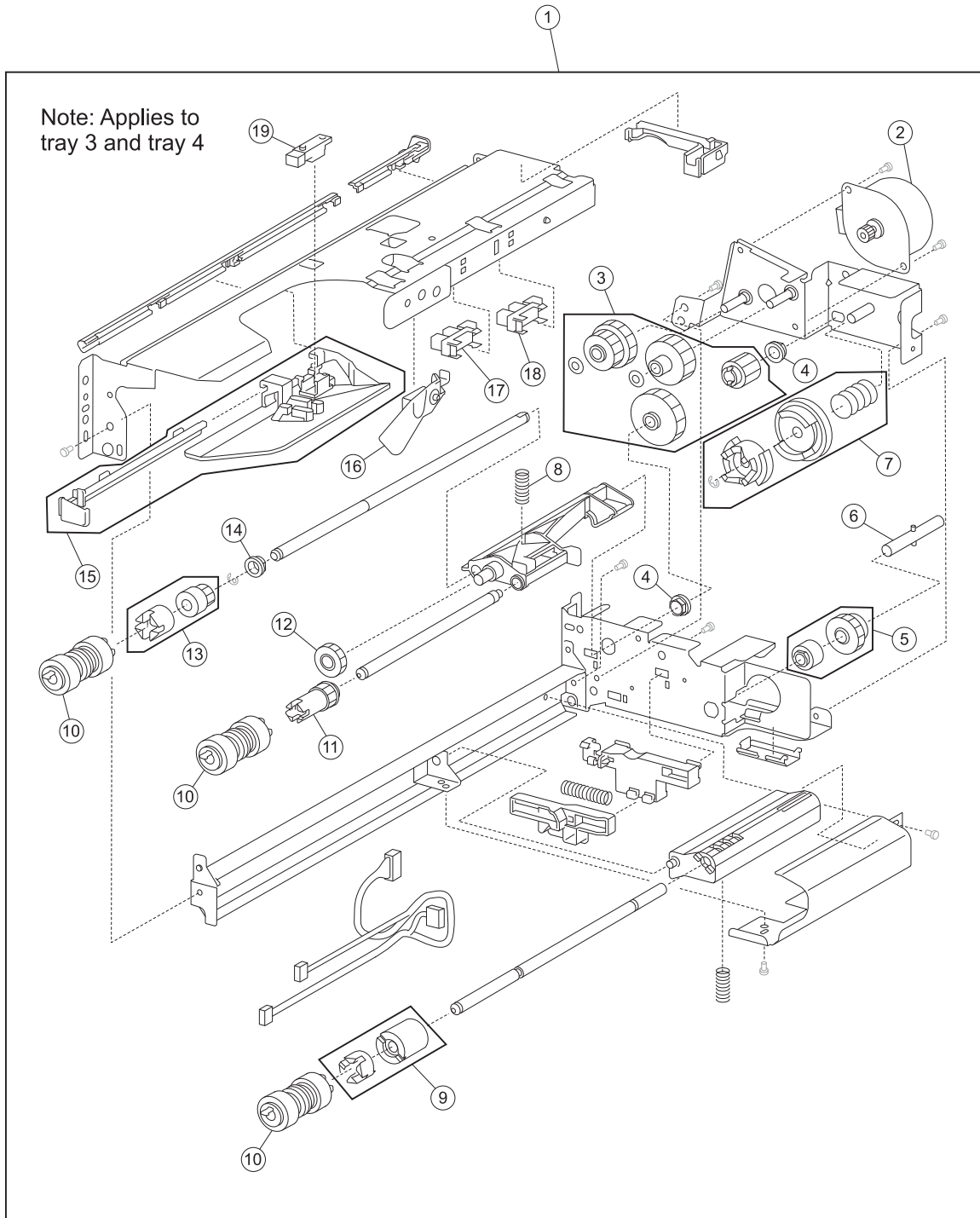
Assembly - Index	Part number	Units/mach	Units/kit or pkg	Description
2-1	40X0566	1	1	Rear motor cover
2	40X2382	1	1	TVOC filter assembly
3	40X0565	1	2	Cable hookup door kit includes: <ul style="list-style-type: none"> • Cable hookup cover • Cable hookup door
4	40X0568	1	1	Option hookup cover
5	40X0567	1	1	Rear lower cover (110 V)
5	40X0955	1	1	Rear lower cover (220 V)
6	40X0564	1	1	Right lower cover
7	40X0563	1	1	Right upper cover

Assembly 3: Media feed unit



Assembly - Index	Part number	Units/mach	Units/kit or pkg	Description
3-1	40X0570	2	1	Switch (media size)
2	40X0569	2	3	Media tray catch kit includes: <ul style="list-style-type: none"> • Media tray catch • Media tray slide (2 each)
3	40X0572	1	1	Vertical turn guide
4	40X0571	1	1	Vertical turn mylar guide

Assembly 4: Media feed unit exploded (tray 1 and tray 2)

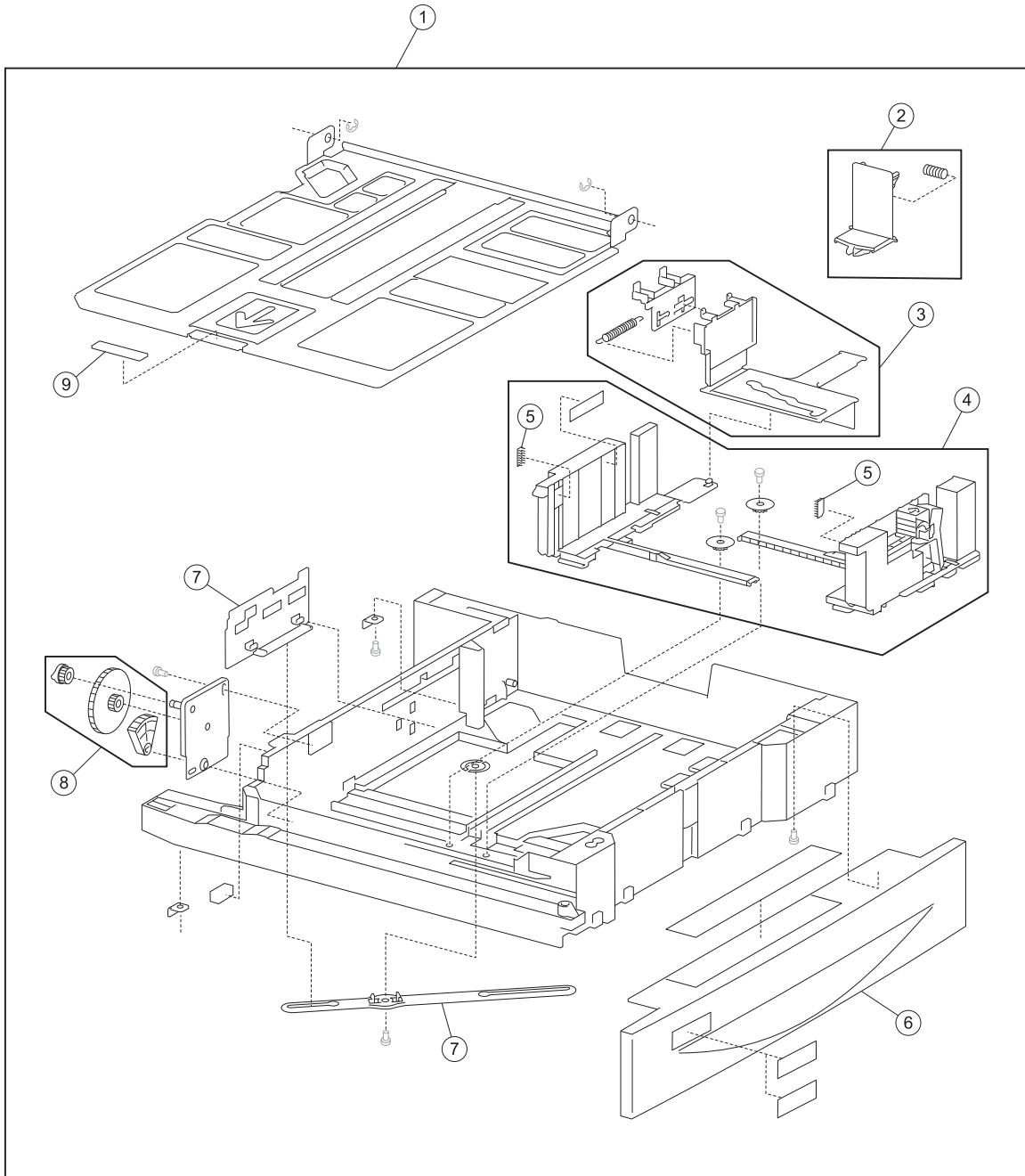


Assembly 4: Media feed unit exploded (tray 1 and tray 2)

Assembly - Index	Part number	Units/mach	Units/kit or pkg	Description
4-1	40X0581	2	1	Media feed unit assembly
2	40X0582	2	1	Media feed lift motor
3	40X0585	2	6	Media feed drive gear kit includes: <ul style="list-style-type: none"> • Media feed unit drive gear 13T • Media feed unit drive gear 28/21T • Media feed unit drive gear 29T • Media feed unit drive gear 27T • 2 mm washer (2 each)
4	40X0880	2	1	Bushing 6 mm
5	40X0967	2	2	Media tray lift one-way clutch/gear kit includes: <ul style="list-style-type: none"> • Media tray lift one-way clutch • Media tray lift one-way gear
6	40X0968	2	1	Media tray lift one-way shaft
7	40X0583	2	3	Tray lift coupling kit includes: <ul style="list-style-type: none"> • Tray lift coupling • Tray lift coupling gear 31T • Spring
8	40X0590	2	1	Pick roll assembly spring
9	40X0593	2	2	Separation roll friction clutch kit includes: <ul style="list-style-type: none"> • Separation roll one-way friction clutch • Separation roll spacer
10	40X0594	1	6	Feed unit roll kit includes: <ul style="list-style-type: none"> • Feed roll (2) • Pick roll (2) • Separation roll (2)
11	40X0970	2	1	Pick roll drive gear
12	40X0969	2	1	Pick roll idler gear
13	40X0591	2	2	Feed roll one-way clutch kit includes: <ul style="list-style-type: none"> • Feed roll one-way clutch • Feed roll one-way gear 22T
14	40X0952	2	1	Bushing 6 mm
15	40X0586	2	2	Media feed unit front guide kit includes: <ul style="list-style-type: none"> • Media feed unit front guide • Media feed unit front guide rail
16	40X0587	2	1	Media out actuator
17	40X0588	2	1	Sensor (media out)
18	40X0588	2	1	Sensor (media level)
19	40X0589	2	1	Sensor (pre-feed)

Note: Assembly index items 17 and 18 are identical sensors with different functions; therefore, they are the same part number with different descriptions.

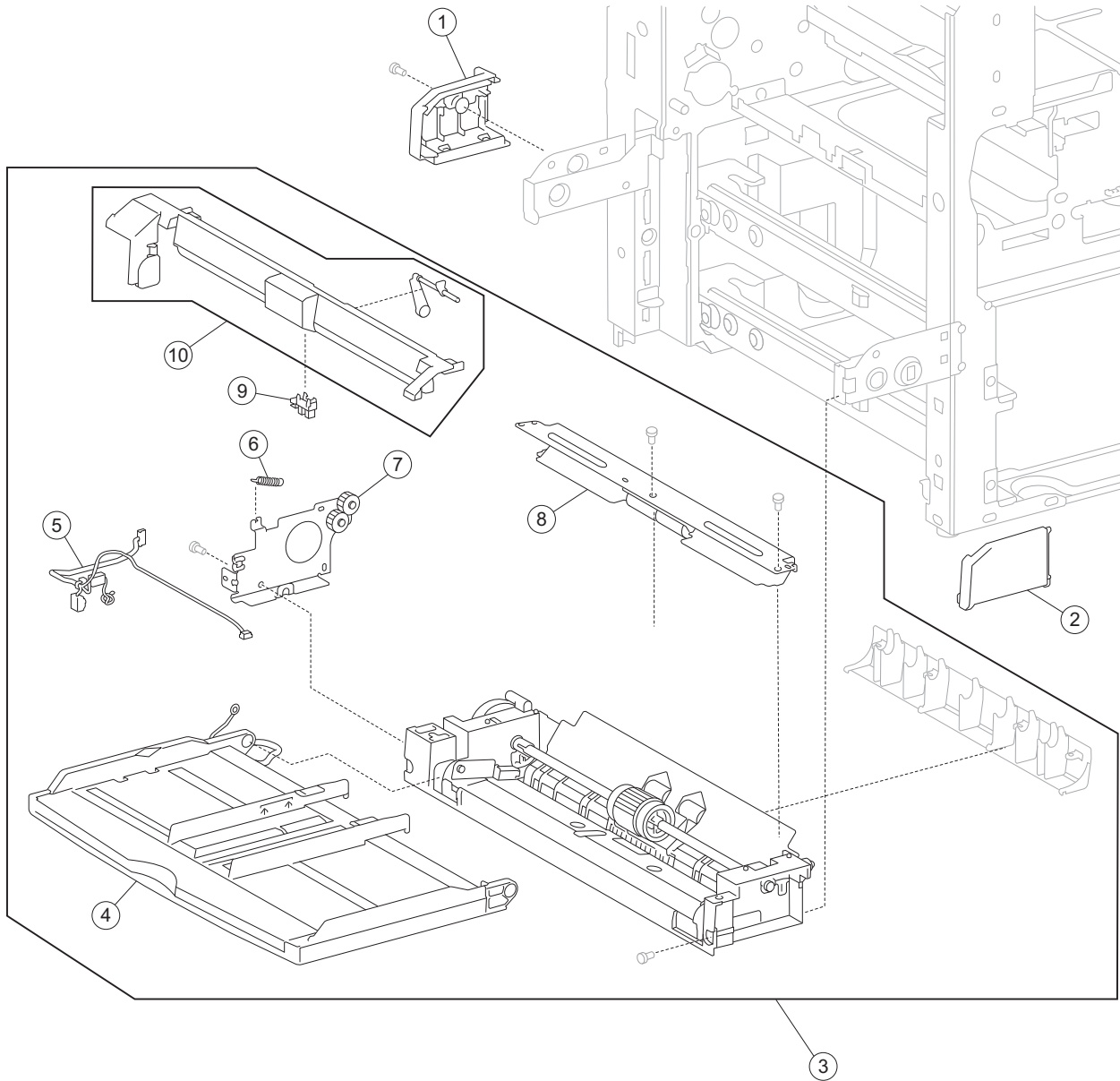
Assembly 5: Media tray



Assembly 5: Media tray

Assembly - Index	Part number	Units/mach	Units/kit or pkg	Description
5-1	40X0573	2	3	Media tray assembly includes: (this comes assembled) <ul style="list-style-type: none"> • Media tray assembly • Labels (2 each)
2	40X0578	2	2	Media tray end guide kit includes: <ul style="list-style-type: none"> • Media tray end guide • Spring
3	40X0577	2	3	Media tray side guide actuator kit includes: <ul style="list-style-type: none"> • Media tray side guide actuator • Media tray side guide slide • Spring
4	40X0576	2	5	Media tray side guide kit includes: <ul style="list-style-type: none"> • Media max label • Front media tray guide assembly • Rear media tray guide • Pinion gear (2 each)
5	40X0966	4	1	Media tray separation brush
6	40X0574	2	1	Media tray front cover includes: <ul style="list-style-type: none"> • Media tray front cover • Labels (2 each)
7	40X0579	2	2	Media tray end guide actuator kit includes: <ul style="list-style-type: none"> • Media end guide actuator • Actuator link <p>Note: The graphic on the previous page, shows two #7 callouts. These callouts are the two items that make up the media tray end guide actuator kit.</p>
8	40X0580	2	3	Media tray lift gear kit includes: <ul style="list-style-type: none"> • Tray lift coupling gear 13T • Tray lift gear 13/60T • Tray lift sector gear 12T
9	40X0965	2	1	Media tray separation pad

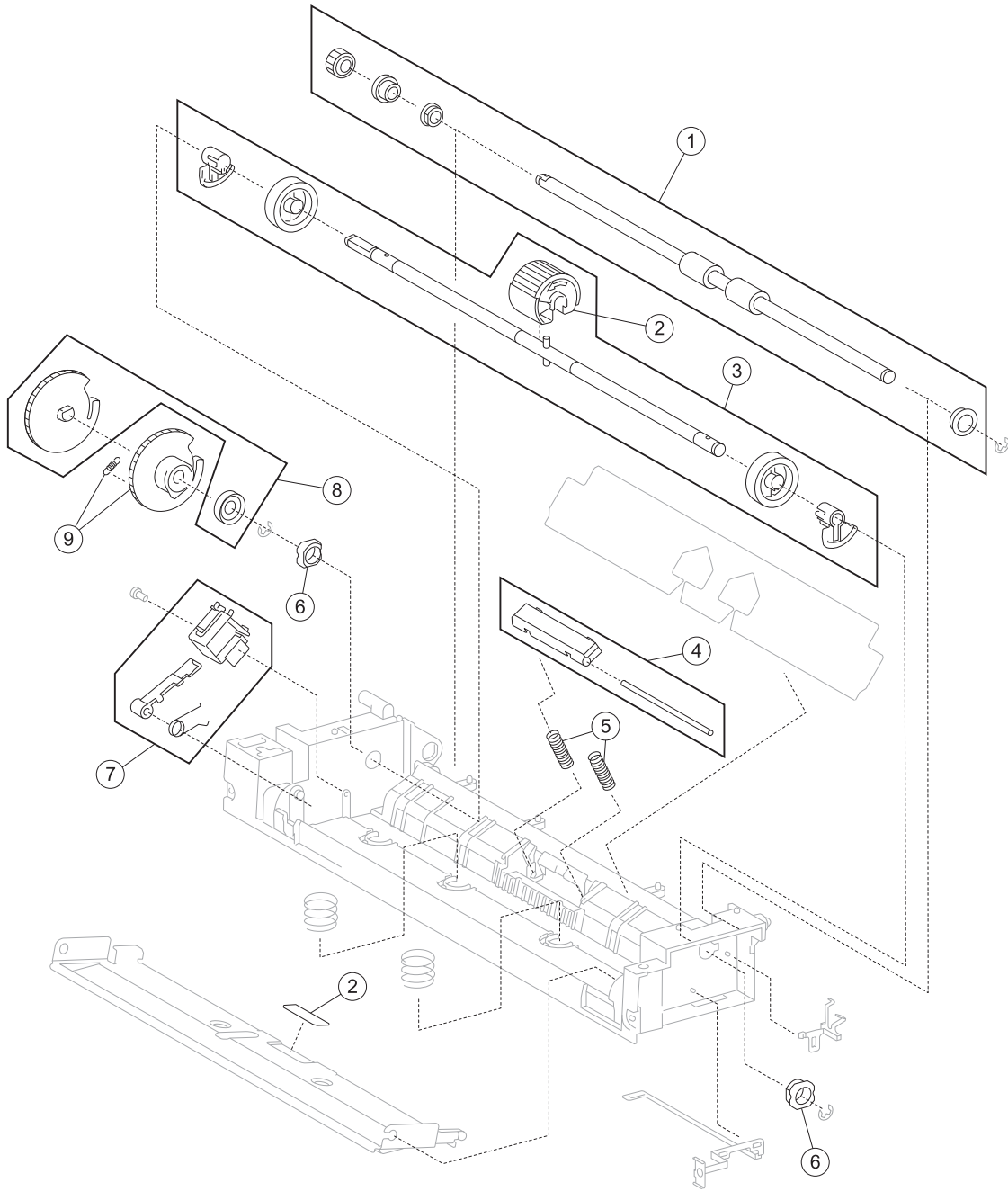
Assembly 6: MPF unit



Assembly 6: MPF unit

Assembly-Index	Part number	Units/mach	Units/kit or pkg	Description
6-1	40X0600	1	1	MPF rear cover
2	40X0599	1	1	MPF front cover
3	40X6000	1	1	MPF feed unit assembly
4	40X0608	1	1	MPF fold down tray assembly
5	40X0597	1	1	MPF unit cable assembly
6	40X0755	1	1	MPF pickup spring
7	40X0598	1	1	MPF idler gear bracket assembly
8	40X0601	1	1	MPF transport pinch roll assembly
9	40X0588	1	1	Sensor (MPF media out)
10	40X0596	1	2	MPF media out actuator kit includes: <ul style="list-style-type: none"> • MPF media out actuator • Upper frame

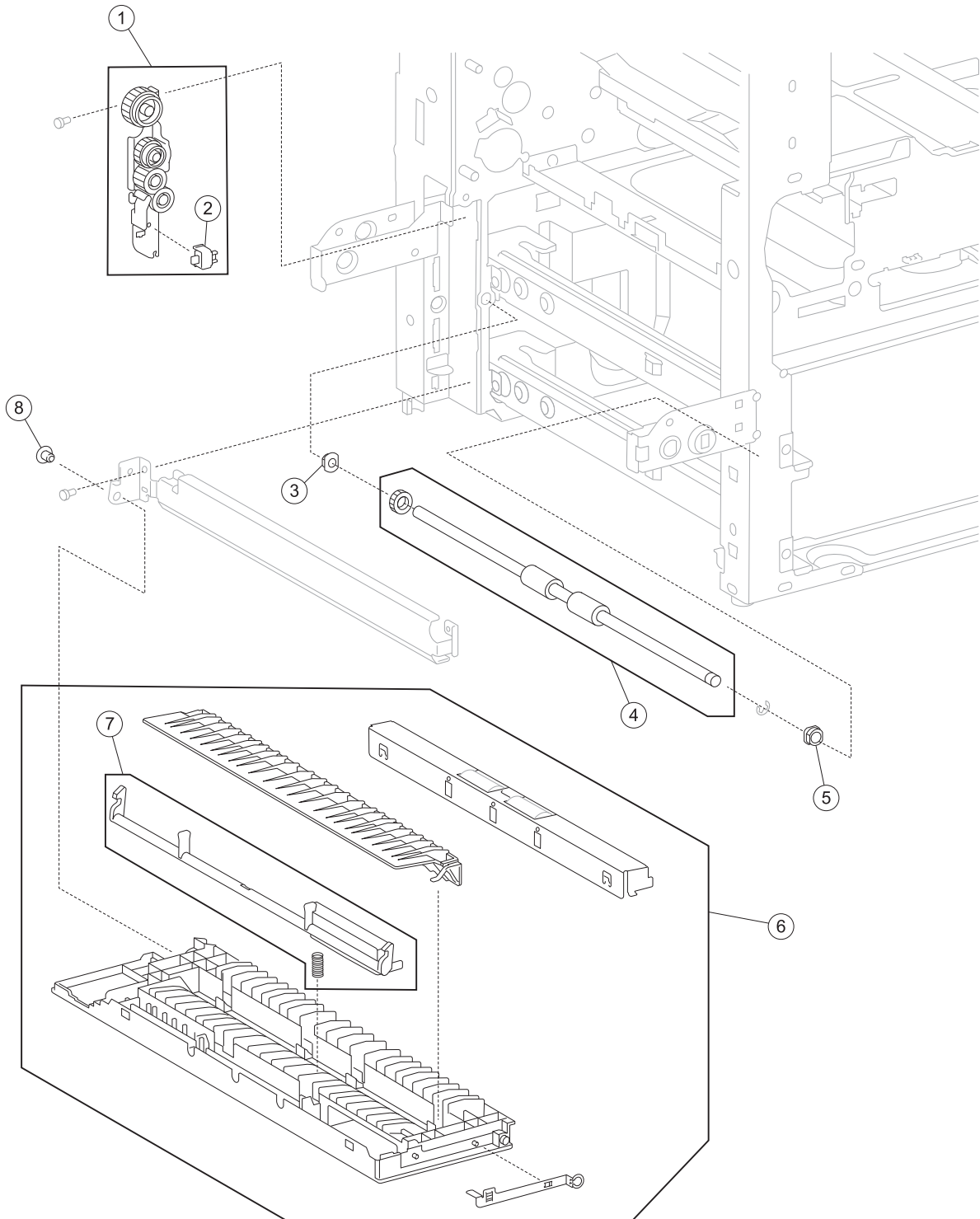
Assembly 7: MPF unit feed



Assembly 7: MPF unit feed

Assembly-Index	Part number	Units/mach	Units/kit or pkg	Description
7-1	40X0605	1	5	MPF transport roll kit includes: <ul style="list-style-type: none"> • MPF transport shaft collar • MPF transport gear 18T • MPF transport roll assembly • Bushing 8 mm (2 each)
2	40X0603	1	2	MPF pick roll kit includes: <ul style="list-style-type: none"> • MPF pressure pad • MPF pick roll assembly
3	40X1382	1	6	MPF feed shaft kit includes: <ul style="list-style-type: none"> • MPF feed shaft • MPF feed shaft cam rear • MPF feed shaft cam front • MPF feed shaft roll core (2 each) • MPF feed roll assembly
4	40X0974	1	2	MPF pressure pad kit includes: <ul style="list-style-type: none"> • Shaft • MPF pressure pad
5	40X1380	2	1	MPF pressure pad spring
6	40X1381	2	1	MPF feed shaft bushing
7	40X0606	1	3	MFP pick solenoid kit includes: <ul style="list-style-type: none"> • Pick lever • Pick solenoid • Spring
8	40X0971	1	2	MPF feed drive gear kit includes: <ul style="list-style-type: none"> • MPF feed gear • MPF feed gear stopper
9	40X0973	1	2	MPF feed cam gear kit includes: <ul style="list-style-type: none"> • MPF feed cam gear • Spring

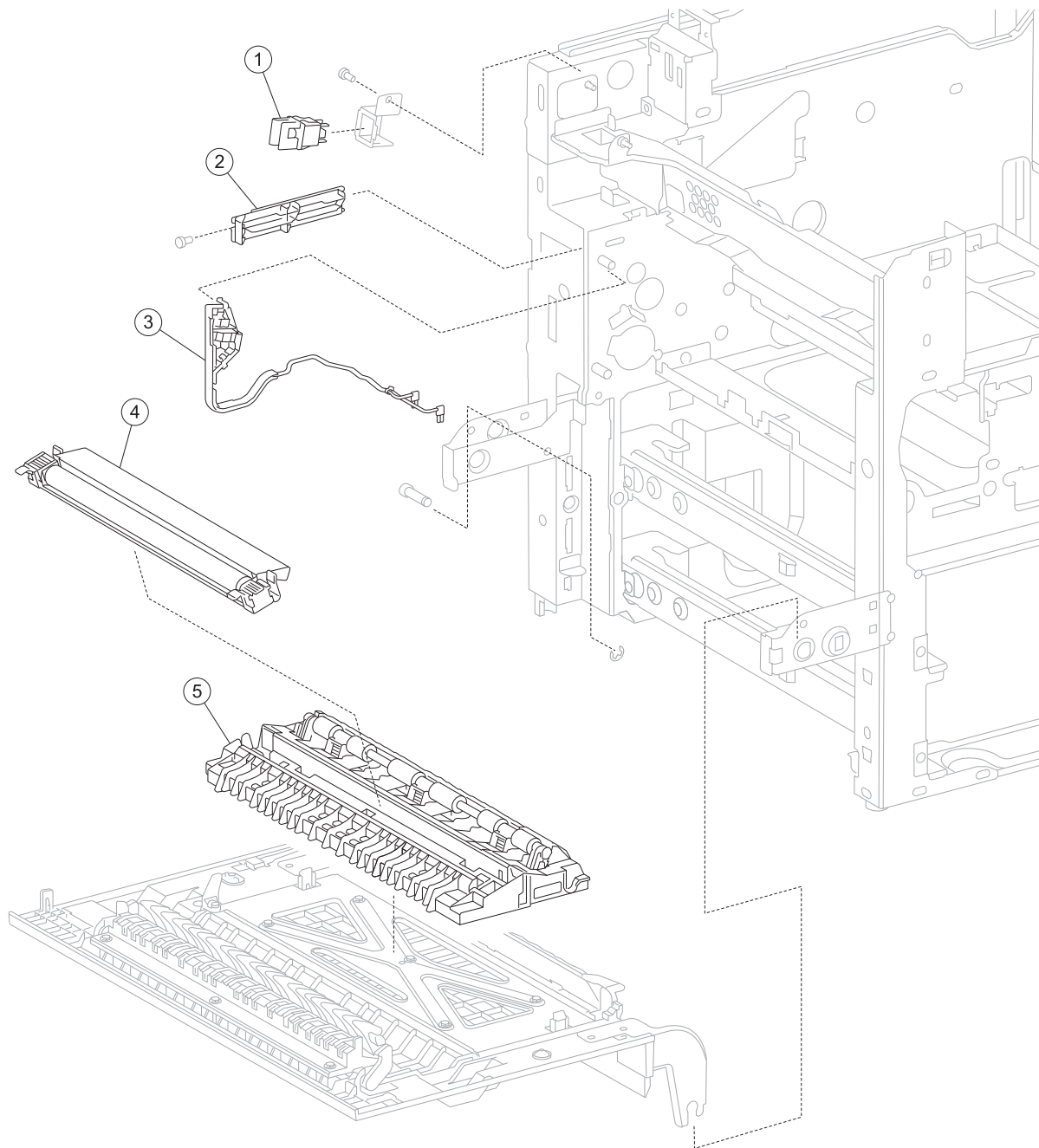
Assembly 8: Left lower door and transport



Assembly 8: Left lower door and transport

Assembly-Index	Part number	Units/mach	Units/kit or pkg	Description
8-1	40X0609	1	1	Vertical drive gear assembly
2	40X0610	1	1	Switch (left lower door interlock)
3	40X1386	1	1	Bushing 6 mm (transport roll rear)
4	40X1387	1	2	Transport roll kit includes: <ul style="list-style-type: none"> • Transport roll assembly • Transport roll gear 18T
5	40X1388	1	1	Bushing 8 mm
6	40X0612	1	1	Printer left lower door assembly (this comes assembled)
7	40X0614	1	2	Left lower door handle kit includes: <ul style="list-style-type: none"> • Left lower door handle • Spring
8	40X0613	1	1	Hinge pin

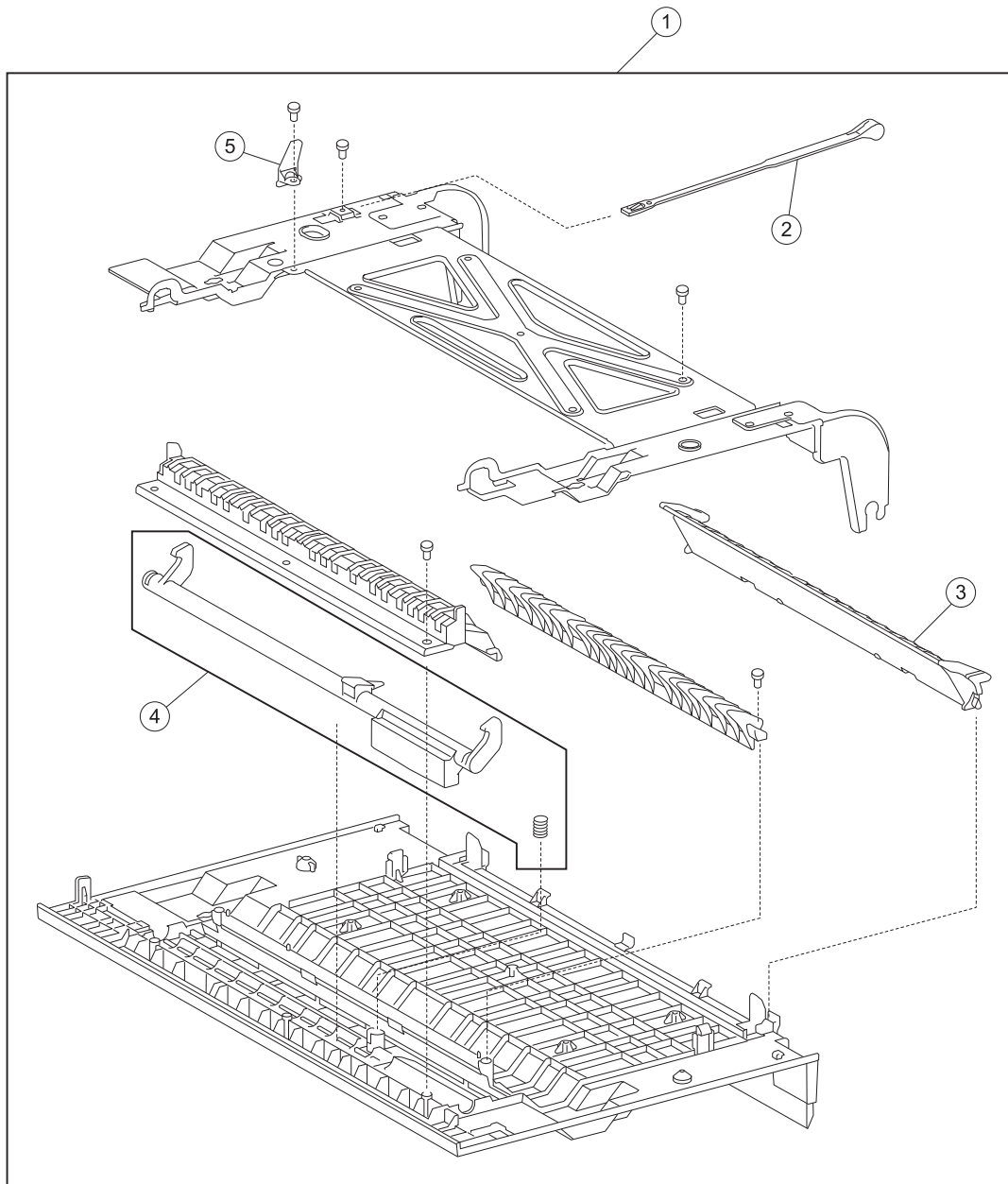
Assembly 9: Left door and transfer roll



Assembly 9: Left door and transfer roll

Assembly-Index	Part number	Units/mach	Units/kit or pkg	Description
9-1	40X0553	1	1	Switch (printer left door interlock)
2	40X0618	1	1	PC cartridge shutter link
3	40X0617	1	1	Transfer roll power contact
4	40X0616	1	1	Transfer roll assembly
5	40X0619	1	1	Transfer roll guide assembly

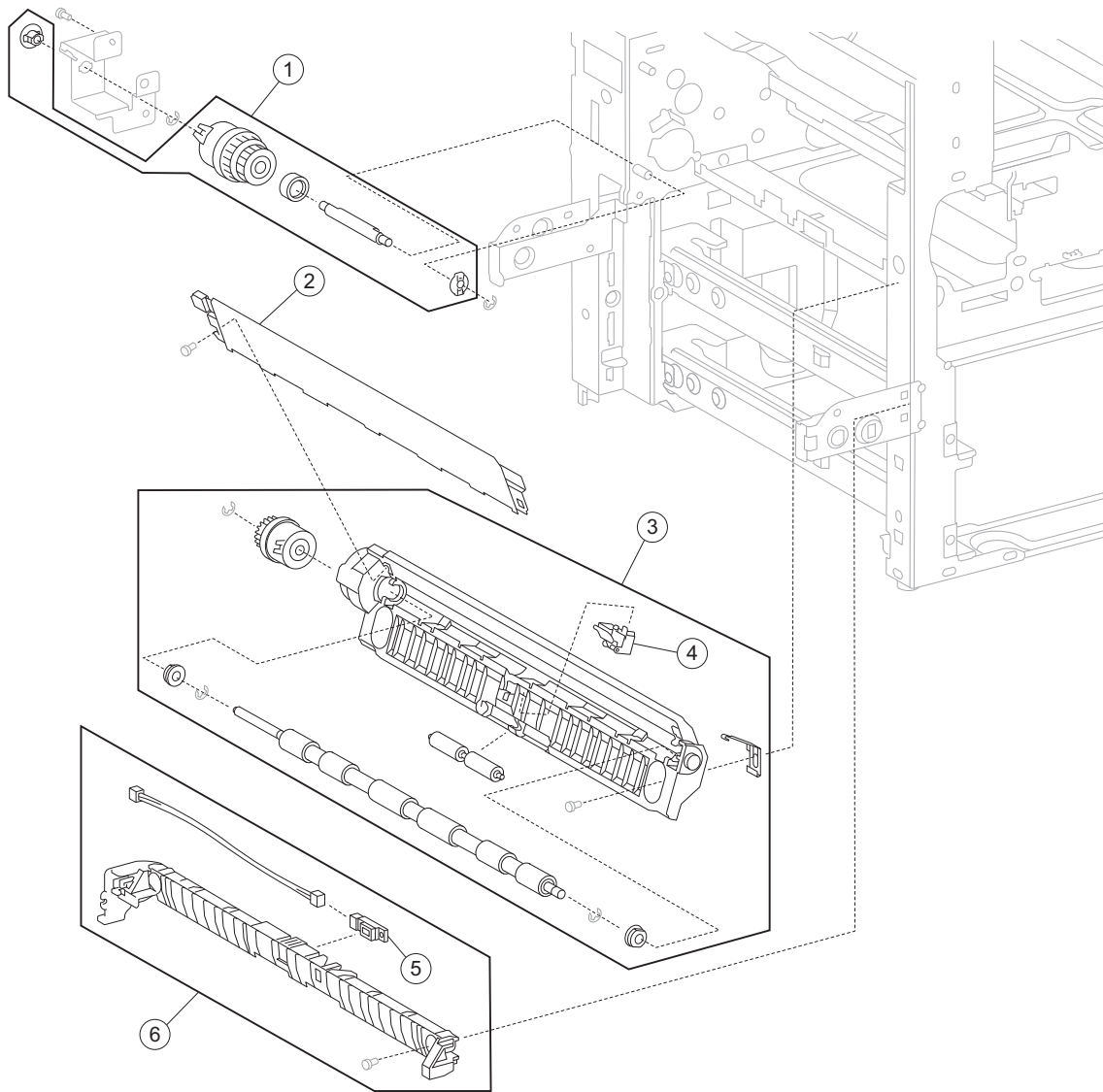
Assembly 10: Printer left door



Assembly 10: Printer left door

Assembly-Index	Part number	Units/mach	Units/kit or pkg	Description
10-1	40X0620	1	1	Printer left door assembly (this comes assembled)
2	40X0624	1	1	Printer left door support strap
3	40X0623	1	1	Left door duplex entrance guide
4	40X0621	1	2	Printer left door assembly handle kit includes: <ul style="list-style-type: none"> • Printer left door assembly handle • Spring
5	40X0622	1	1	PC cartridge shutter actuator

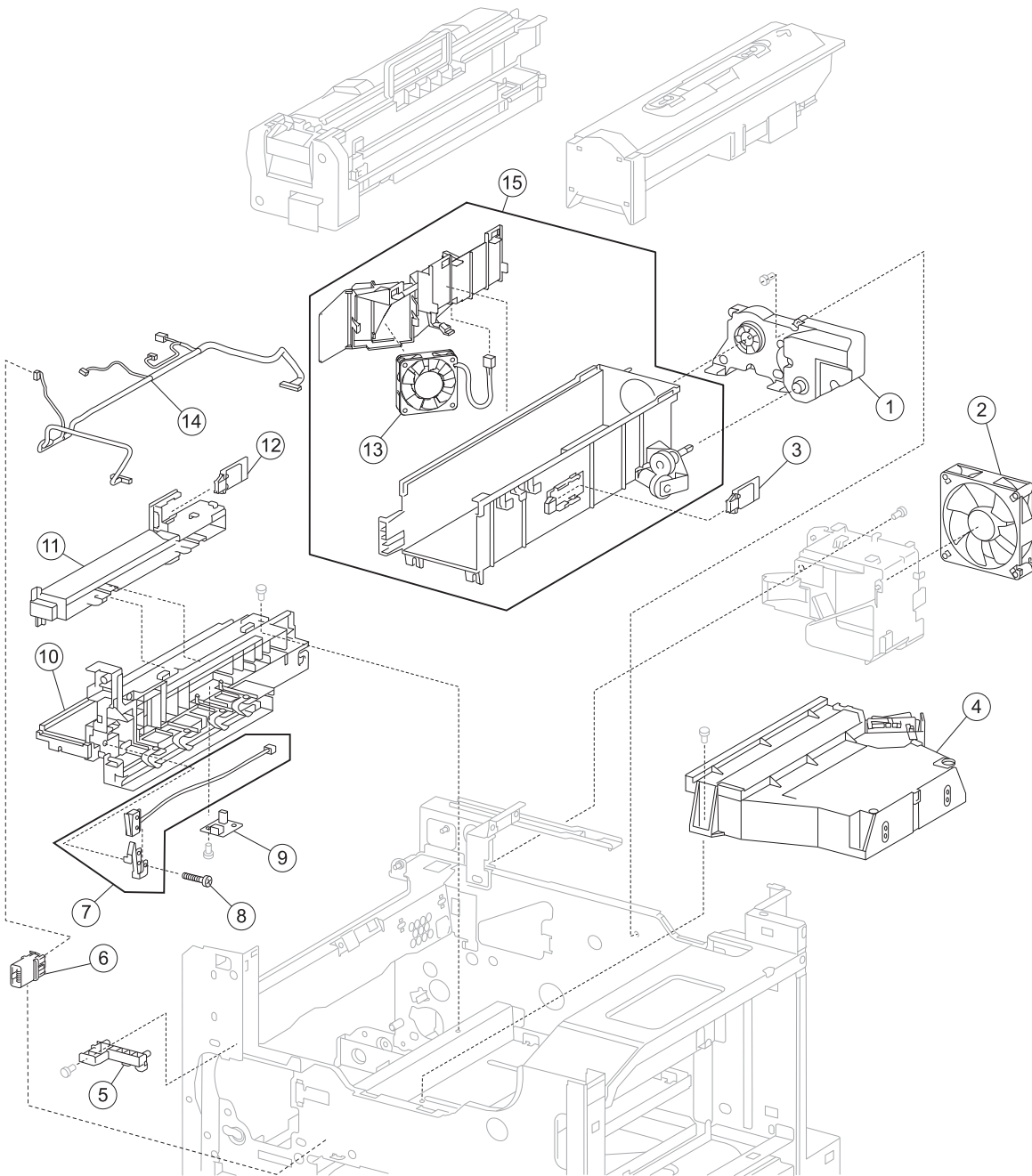
Assembly 11: Registration



Assembly 11: Registration

Assembly-Index	Part number	Units/mach	Units/kit or pkg	Description
11-1	40X0629	1	5	Transport clutch assembly includes: <ul style="list-style-type: none"> • Bushing 4.5 mm front • Bushing 4.5 mm rear • Shaft • Transport clutch gear 19T • Transport clutch
2	40X0628	1	1	Registration mylar guide assembly
3	40X0625	1	1	Registration roll assembly (this comes assembled)
4	40X0627	1	1	Sensor (registration)
5	40X0589	1	1	Sensor (tray 2 feed-out)
6	40X0630	1	1	Tray 2 feed-out sensor guide (this comes assembled)

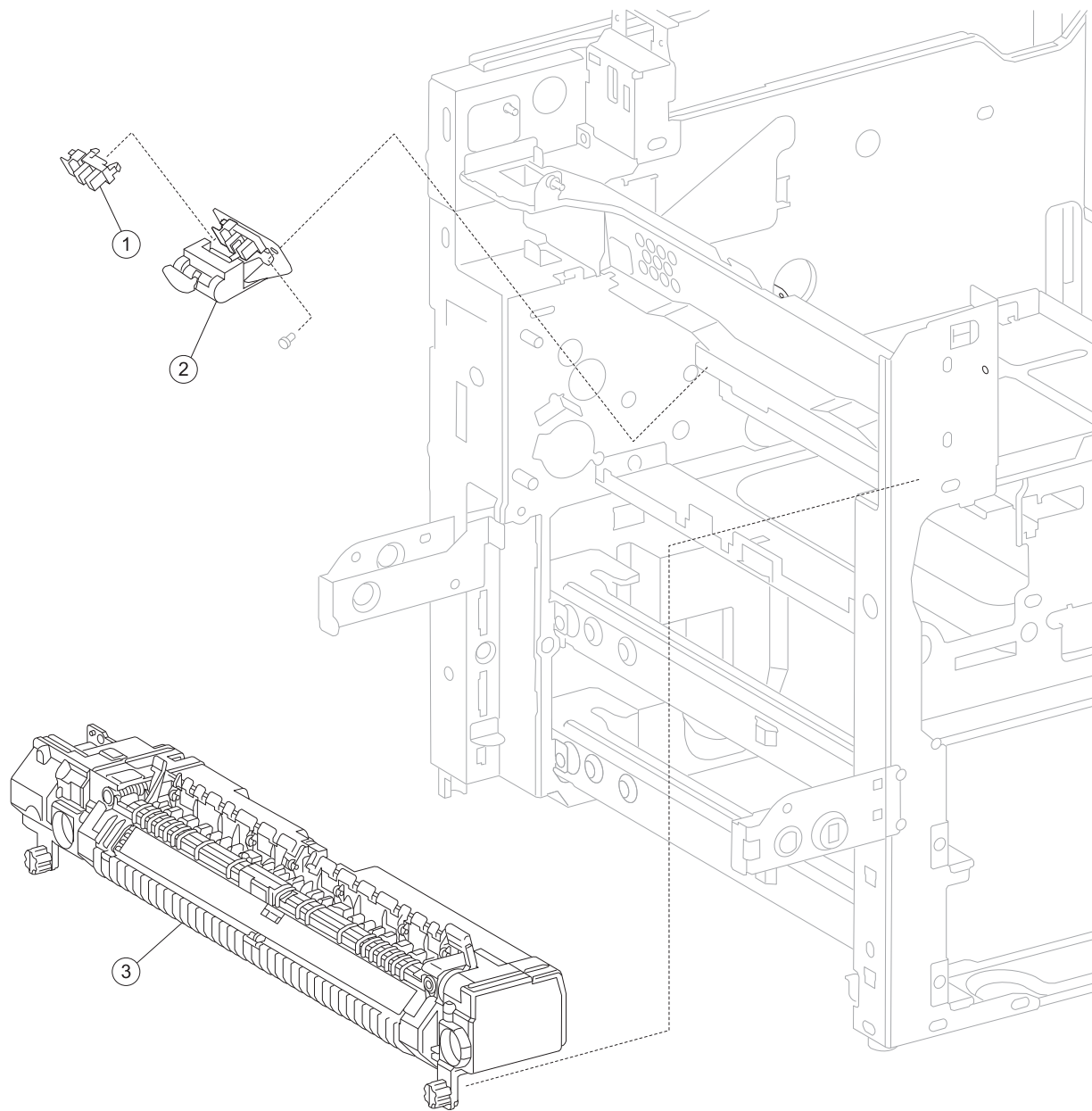
Assembly 12: Printhead, cartridge guides, and fans



Assembly 12: Printhead, cartridge guides, and fans

Assembly-Index	Part number	Units/mach	Units/kit or pkg	Description
12-1	40X0639	1	1	Toner add motor assembly
2	40X0640	1	1	Fuser cooling fan
3	40X0636	1	1	Sensor (RFID toner cartridge)
4	40X0641	1	1	Printhead assembly
5	40X0631	1	1	PC cartridge stop
6	40X0644	1	1	PC cartridge sensor connector
7	40X1390	1	2	Switch (PC cartridge interlock) kit includes: <ul style="list-style-type: none"> • Backup spring • Switch (PC cartridge interlock)
8	40X1389	1	1	PC cartridge interlock switch screw
9	40X0633	1	1	Sensor (hum & temp)
10	40X0634	1	1	PC cartridge guide assembly
11	40X0635	1	1	Laser opening guide
12	40X0636	1	1	Sensor (RFID PC cartridge)
13	40X0643	1	1	PC cartridge cooling fan
14	40X0637	1	1	Multi connector cable assembly 1
15	40X0638	1	2	Toner cartridge guide kit includes: <ul style="list-style-type: none"> • Toner cartridge guide assembly • PC cartridge cooling fan duct • PC cartridge cooling fan

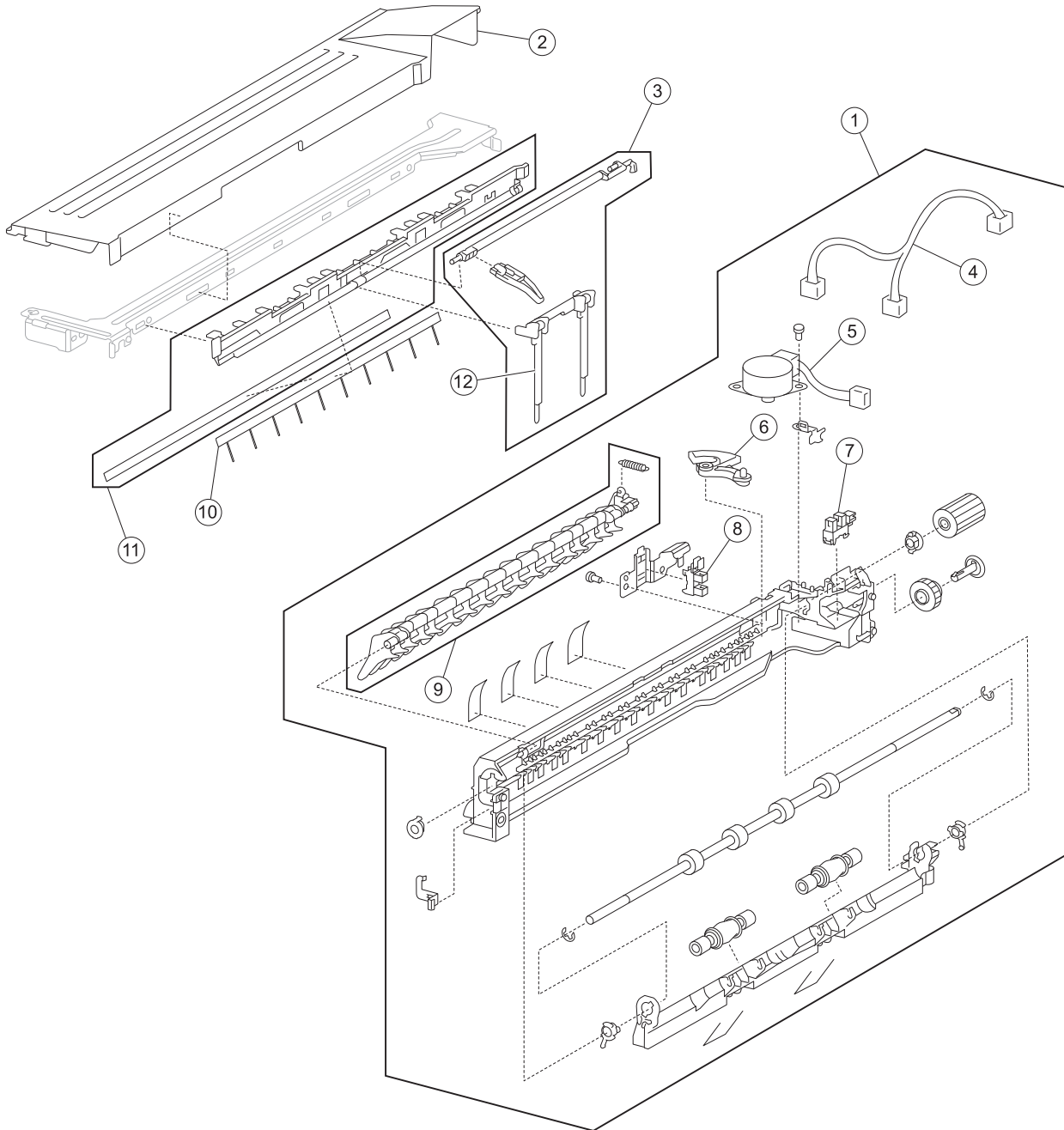
Assembly 13: Fuser



Assembly 13: Fuser

Assembly-Index	Part number	Units/mach	Units/kit or pkg	Description
13-1	40X0588	1	1	Sensor (fuser exit)
2	40X5931	1	1	Sensor (fuser exit) assembly with actuator
3	40X0647	1	1	Fuser assembly 110 V (this comes assembled)
3	40X0648	1	1	Fuser assembly 220 V (this comes assembled)
3	40X0646	1	1	Fuser assembly 100 V (this comes assembled)

Assembly 14: Standard Exit 1

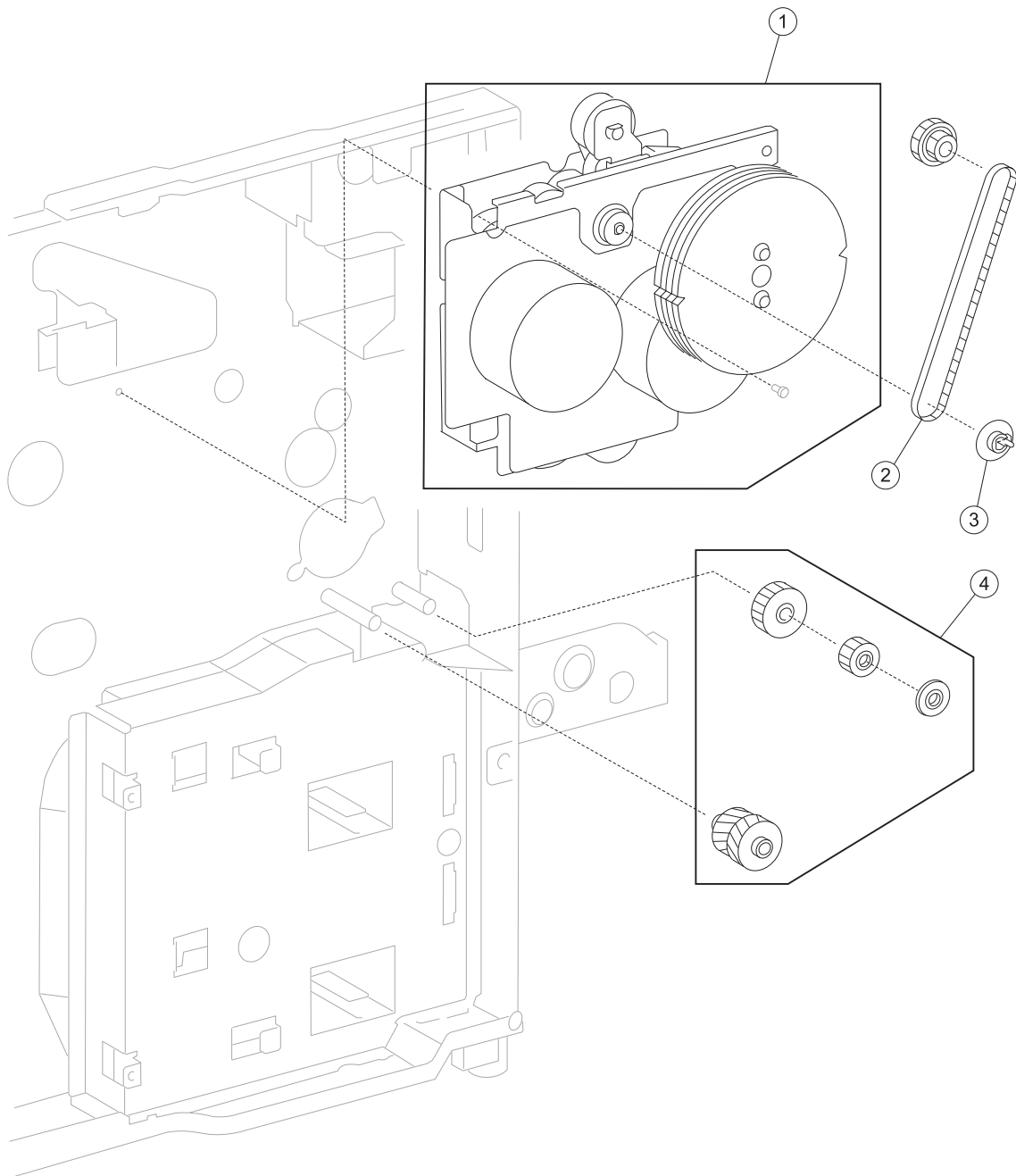


Assembly 14: Standard Exit 1

Assembly-Index	Part number	Units/mach	Units/kit or pkg	Description
14-1	40X0649	1	1	Exit 1 media shift assembly (this comes assembled)
2	40X0655	1	1	Standard exit 1 top cover
3	40X0657	1	3	Standard bin full exit 1 actuator kit includes: <ul style="list-style-type: none"> • Standard bin full exit 1 actuator shaft • Standard bin full exit 1 actuator • Output guide
4	40X0650	1	1	Exit 1 sensor cable assembly
5	40X0651	1	1	Media shift motor
6	40X0653	1	1	Exit 1 media shift gear
7	40X0588	1	1	Sensor (standard bin full exit 1)
8	40X0588	1	1	Sensor (exit 1 media shift HP)
9	40X0654	1	2	Media diverter gate kit includes: <ul style="list-style-type: none"> • Media diverter gate • Spring
10	40X1391	1	1	Exit 1 static eliminator
11	40X1392	1	2	Exit 1 media exit guide kit includes: <ul style="list-style-type: none"> • Exit 1 media guide • Exit 1 media guide pad
12	40X2389	1	1	Output guide

Note: Assembly index items 7 and 8 are identical sensors with different functions; therefore, are the same part number with different descriptions.

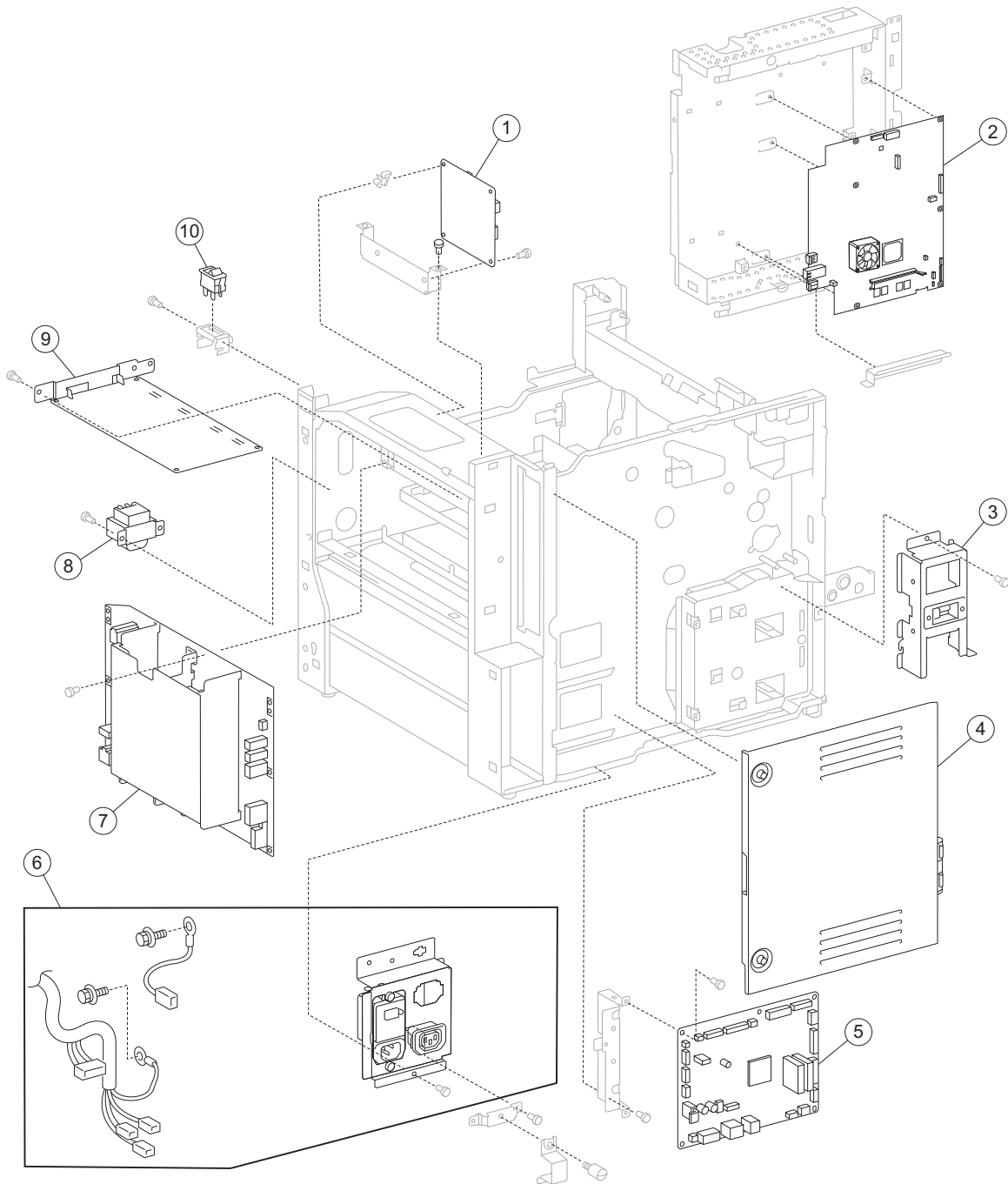
Assembly 15: Dual unit drive motor



Assembly 15: Dual unit drive motor

Assembly-Index	Part number	Units/mach	Units/kit or pkg	Description
15-1	40X0660	1	1	Dual drive motor assembly
2	40X0659	1	1	Exit 1 drive belt
3	40X0661	1	1	Drive belt flange
4	40X0658	1	4	MPF & transport roll idler gear kit includes: <ul style="list-style-type: none"> • Transport roll idler gear 28T • MPF idler gear 18T • Flange • Transport/MPF idler gear 21/21T

Assembly 16: Electrical



Assembly 16: Electrical

Assembly-Index	Part number	Units/mach	Units/kit or pkg	Description
16-1	40X0664	1	1	Exit interface card assembly
2	40X5562	1	1	RIP card assembly
3	40X0673	1	1	HCF hookup connector assembly
4	40X0672	1	1	Rear RIP card cover
5	40X0665	1	1	Printer engine card assembly
6	40X0670	1	7	AC power input socket kit includes: <ul style="list-style-type: none"> • Screws 4 mm (2 each) • Bracket • AC power input socket • Ground wire • Main AC cable assembly • Finisher AC output
7	40X0666	1	1	LVPS 100/110 V
7	40X0667	1	1	LVPS 220 V
8	40X0668	1	1	Choke coil 220 V (220 V model only)
9	40X0662	1	1	HVPS
10	40X0663	1	1	Switch (main power)

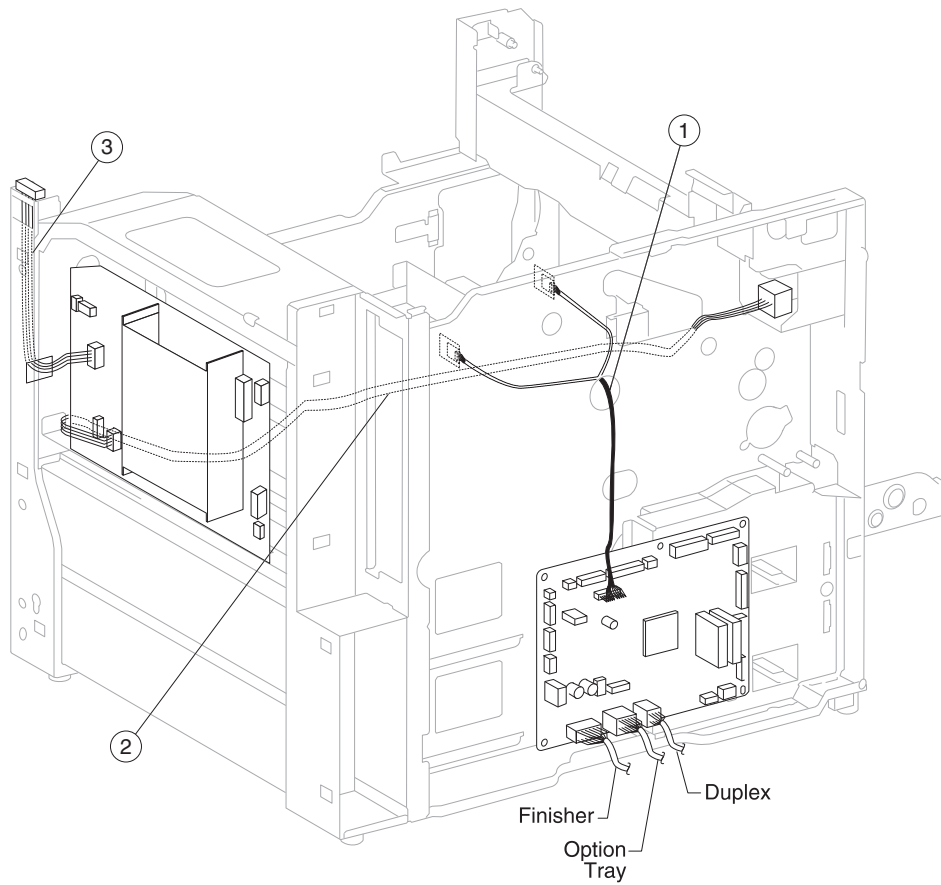
Warning: In the event of replacement of any one of the following components:

- Operator panel assembly
- RIP card assembly

Replace only one component at a time. Replace the required component, and perform a POR before replacing a second component listed above. If this procedure is not followed, the printer will be rendered inoperable. Never replace two or more of the components listed above without a POR after installing each one or the printer will be rendered inoperable.

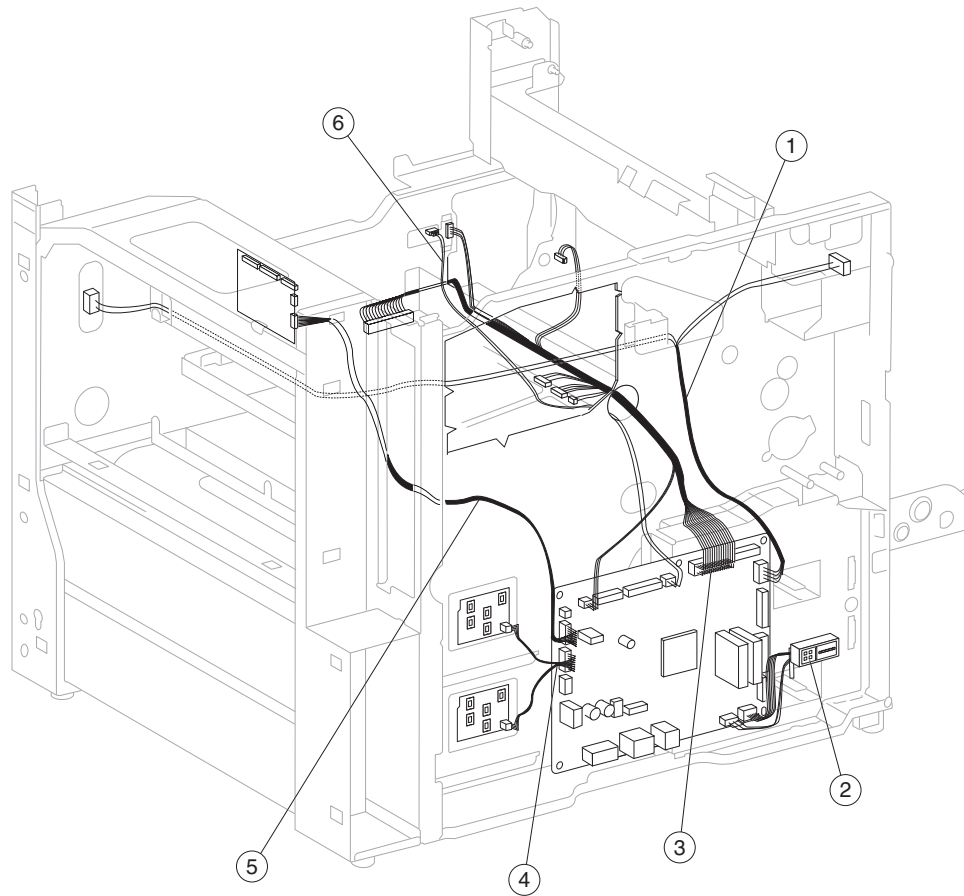
Warning: Never install and remove components listed above as a method of troubleshooting components. Once a component has been installed in a machine, it cannot be used in another machine. It must be returned to the manufacturer.

Assembly 17: Electrical cables



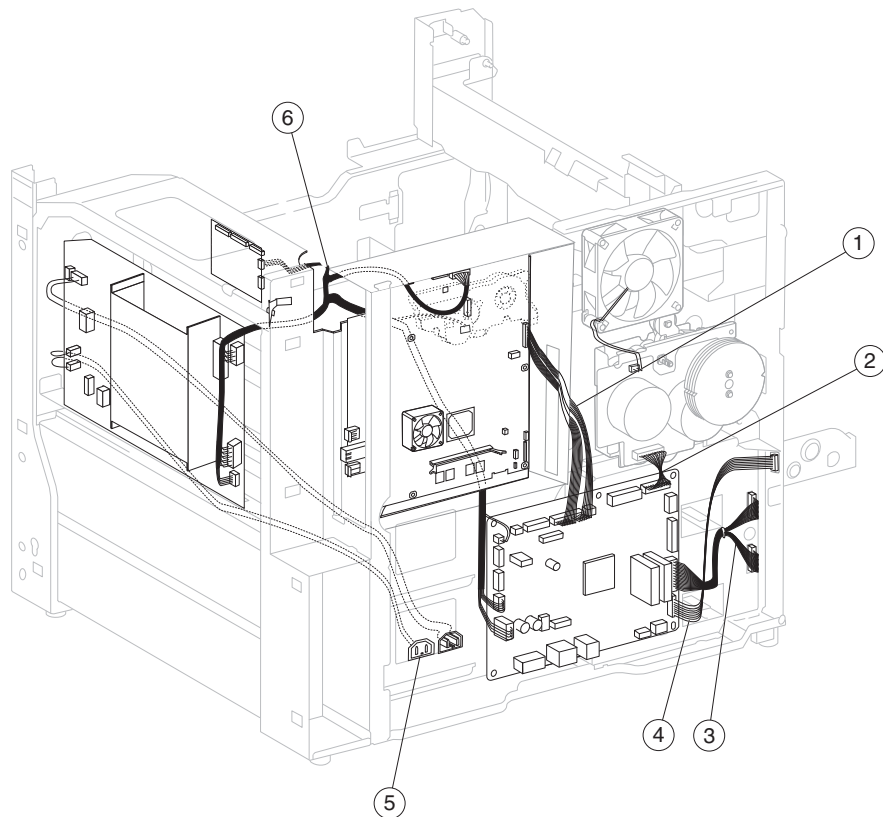
assembly-Index	Part number	Units/mach	Units/kit or pkg	Description
17-1	40X0686	1	1	RFID sensor cable assembly
2	40X0681	1	1	Fuser AC cable assembly
3	40X0684	1	1	Main switch cable assembly

Assembly 18: Electrical cables



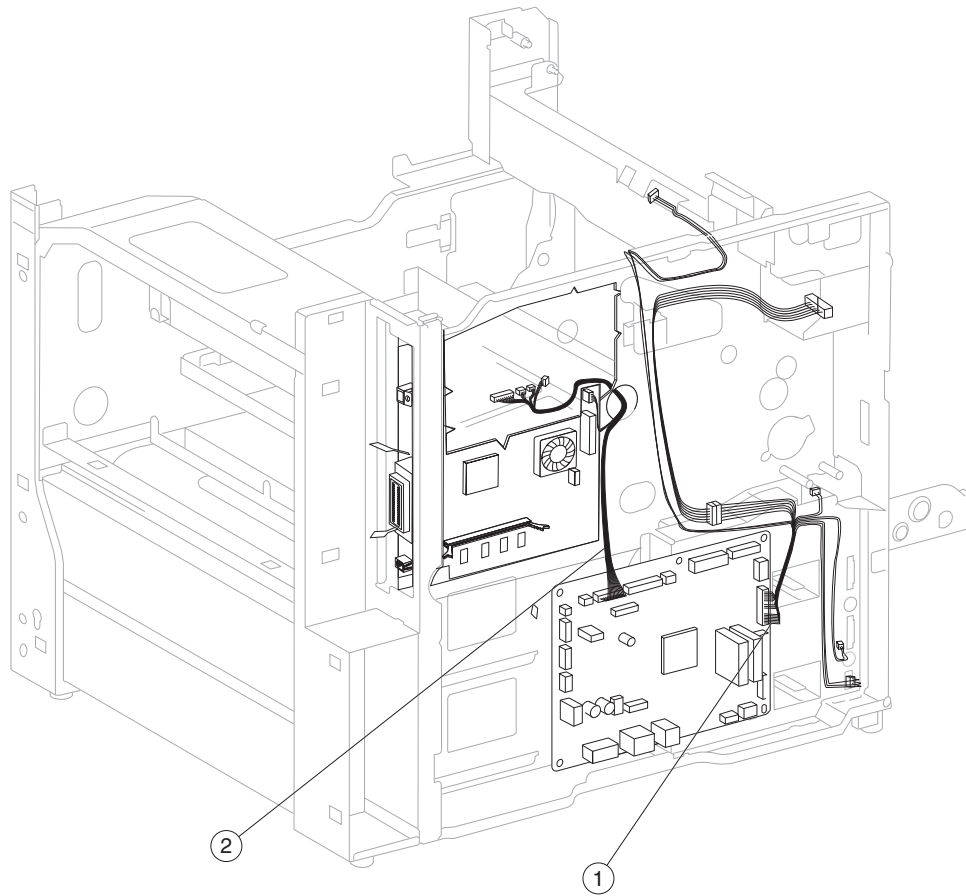
Assem bly- Index	Part number	Units/ mach	Units/kit or pkg	Description
18-1	40X0683	1	1	Interlock switch cable assembly
2	40X0673	1	1	HCF hookup connector assembly
3	40X0637	1	1	Multi connector cable assembly 1
4	40X0676	1	1	Media size switch cable assembly
5	40X0682	1	1	Multi connector cable assembly 3
6	40X1390	1	2	Switch (PC cartridge interlock) kit includes: <ul style="list-style-type: none"> • Backup spring • Switch (PC cartridge interlock)

Assembly 19: Electrical cables

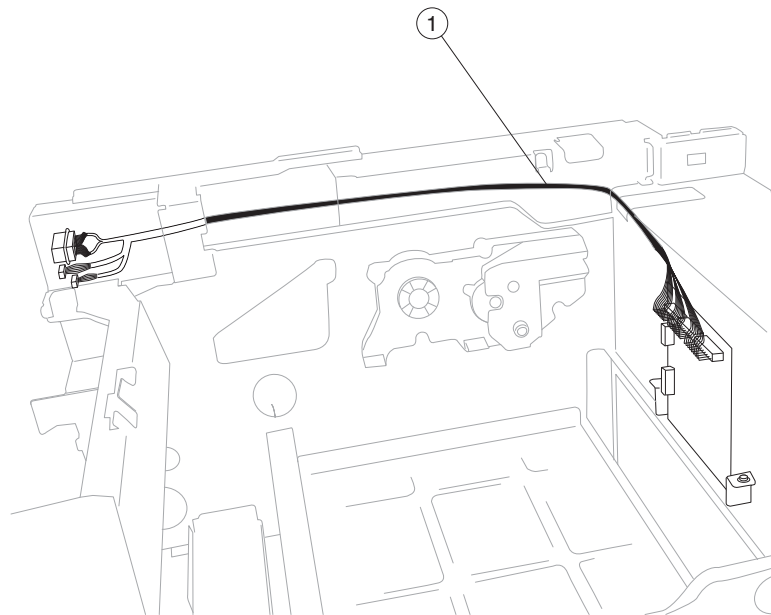


Assem- bly- Index	Part number	Units/ mach	Units/kit or pkg	Description
19-1	40X0677	1	1	RIP card cable assembly
2	40X0685	1	1	Dual drive motor cable assembly
3	40X0674	1	1	Media feed unit cable assembly
4	40X0675	1	1	MPF hookup cable assembly
5	40X0670	1	7	AC power input socket kit includes: <ul style="list-style-type: none"> • Screws 4 mm (2 each) • Bracket • AC power input socket • Ground wire • Main AC cable assembly • Finisher AC output
6	40X0682	1	1	Multi connector cable assembly 3

Assembly 20: Electrical cables



Assembly-Index	Part number	Units/mach	Units/kit or pkg	Description
20-1	40X0680	1	1	Multi connector cable assembly 2
2	40X0678	1	1	Printhead cable assembly

Assembly 21: Electrical cable

Assem bly- Index	Part number	Units/ mach	Units/kit or pkg	Description
21-1	40X0679	1	1	Exit interface cable assembly

Assembly 22: Power cords

Assem bly- Index	Part number	Units/ mach	Units/kit or pkg	Description
22-NS	40X0269	1	1	Power cord—USA ET AL 8ft right angle
NS	40X0296	1	1	Power cord—Australia 6ft straight
NS	40X0297	1	1	Power cord—USA ET AL 6ft straight

Assembly 23: Miscellaneous

Asm-Index	Part number	Units/mach	Units/kit or pkg	Description
23-NS	40X0956	1	14	Maintenance kit (110 V) <ul style="list-style-type: none"> • Fuser unit assembly • Transfer roll assembly • Feed rolls (4 each) • Pick rolls (4 each) • Separation rolls (4 each)
NS	40X0957	1	14	Maintenance kit (220 V) <ul style="list-style-type: none"> • Fuser unit assembly • Transfer roll assembly • Feed rolls (4 each) • Pick rolls (4 each) • Separation rolls (4 each)
NS	40X0958	1	14	Maintenance kit (100 V) <ul style="list-style-type: none"> • Fuser unit assembly • Transfer roll assembly • Feed rolls (4 each) • Pick rolls (4 each) • Separation rolls (4 each)
NS	40X1373	1	1	W850 Forms and Bar code card
NS	40X1379	1	1	W850 IPDS and SCS/TNEcard
NS	40X4819	1	1	RS-232C serial interface card
NS	40X4822	1	1	Hard disk
NS	40X4823	1	1	Parallel 1284-B interface card
NS	40X4826	1	1	MarkNet™ N8120 Gigabit Ethernet
NS	40X4827	1	1	MarkNet N8130 Fiber Ethernet 100BaseFX, 10BaseFL
NS	40X5301	1	1	256MB DDR2-DRAM
NS	40X5302	1	1	512MB DDR2-DRAM
NS	40X5303	1	1	1024MB DDR2-DRAM
NS	40X5704	1	1	256MB Flash card
NS	40X5969	1	1	Korean font card
NS	40X5970	1	1	Simplified font card
NS	40X5971	1	1	Traditional Chinese font card
NS	40X5972	1	1	Japanese font card
NS	40X0948	NA	NA	Assorted e-clip packet
NS	40X0949	NA	NA	Assorted screw packet